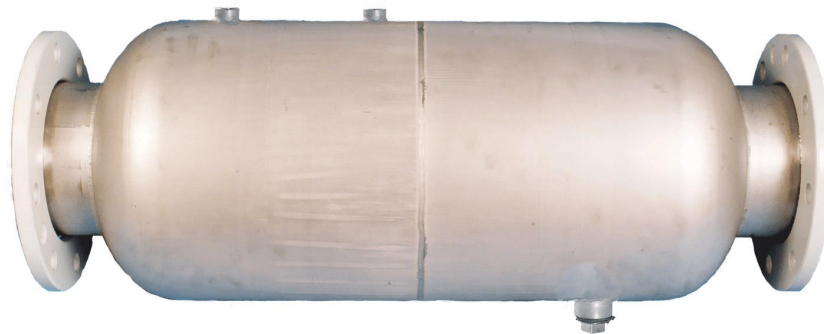


# NONAIR® Micro bubbles Separator with particle separation



This model of **NONAIR®** Micro bubbles Separator is designed to remove both air and dirt from circulating heating and chilled water systems. Floating particles will be separated in the same separation chamber as the air. Heavy particles will be collected in the separation chamber in the outlet end. All particles can be flushed away through the drainage plug.



## DESIGN

The socket at the top of the body, is for **air outlet**. Use a **reliable** Air-Vent with ball valve.  
The socket at the bottom of the body, is for **drainage**. Use a ball valve with corresponding size.  
Reduction and blanking plugs has O-ring sealing of EPDM/NBR-material

Design pressure: PN10, 10 bar

Design temperature: 110°C

Conformity to PED 97/23 EC: According to SEP in compliance to article 3 section 3.

## CONNECTIONS

**Nonair®** is mainly made of acid-resistant Stainless Steel material 316L

The units are available with various connection alternatives:

**SOCKET** connection with sockets made of Stainless Steel material 316L.

Available with female and male threads.

Is used at threaded pipe joint with Stainless or Carbon Steel pipes.

**WELDING ENDS 316L** with welding ends made of Stainless Steel material 316L.

Is used at welded pipe joint with Stainless Steel pipes.

**WELDING ENDS Carbon Steel** with welding ends of Steel material acc. to DIN 171 75.

Is used at welded pipe joint with Carbon Steel pipes.

**FLANGE** connection with welding collars made of Stainless Steel material 316L and loose flanges of Silumin.

Is used at flanged pipe joint with Stainless or Carbon Steel pipes.

**GROOVED** connection with grooved ends of Steel material acc. to DIN 171 75.

Is used at grooved pipe joint with Victualic®, Grinnell® or similar couplings.

## OPERATION FIGURES

Dimensioning: Choose the same dimension as the pipe it is connected with.

Capacity: No particular limitation.

Pressure drop: Minimal ( ~5 mm water column/ ~50 Pa at 1 m/s ).

Manufacturer:

AVONNI AB

Nybytorpsvägen 12, SE-182 54 DJURSHOLM, Sweden  
Tel: +46 8 755 73 00, www.nonair.com, E-mail: info@nonair.com

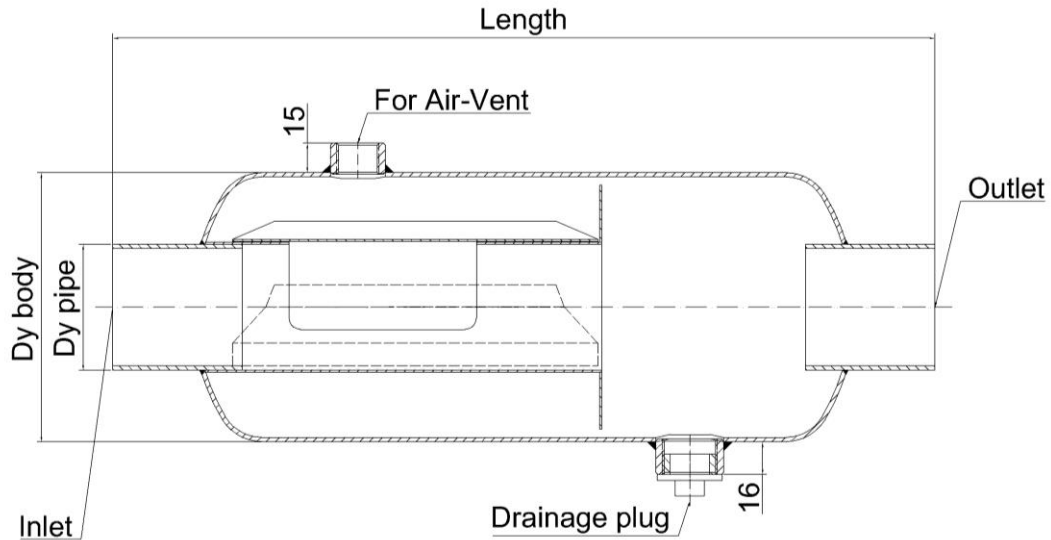


Table for weight, length etc.

DIM	Dy mm	volume litre	sockets		SOCKET			
			air	drain	length mm	female	male	all
						weight kg		
R 50 (2")	129	4	1x 1/2"	1x 3/4"	445	485	3,2	

DIM	Dy mm	volume litre	sockets		WELDING ENDS				FLANGE		GROOVED	
			air	drain	316L		carbon steel		length mm	weight kg	length mm	weight kg
					length mm	weight kg	length mm	weight kg				
DN 50 (60,3)	129	4	1x 1/2"	1x 3/4"	395	2,8	445	3,0	420	4,5	485	3,0
DN 65 (76,1)	154	7	1x 1/2"	1x 3/4"	475	3,6	525	3,8	500	6,0	565	3,8
DN 80 (88,9)	168	9	1x 1/2"	1x 1"	535	4,0	585	4,3	560	7,0	625	4,3
DN 100 (114,3)	204	14	1x 1/2"	1x 1"	610	7,5	670	8,0	645	11	710	8,0
DN 125 (139,7)	256	27	2x 1/2"	1x 1"	695	9,5	755	10	730	14	795	10
DN 150 (168,3)	306	45	2x 1/2"	1x 1"	800	14	860	15	835	20	900	15
DN 200 (219,1)	406	98	2x 1/2"	1x 1"	950	36	1010	38	990	45	1060	38
DN 250 (273,0)	456	159	2x 1/2"	1x 1"	1230	56	1290	62	1270	72	1340	62
DN 300 (323,9)	550	253	3x 1/2"	1x 1"	1300	81	1360	90	1345	125	1410	90
DN 350 (355,6)	608	322	3x 1/2"	1x 1"	1390	101	1450	112	1435	147	1520	112
DN 400 (406,4)	700	457	3x 1/2"	1x 1"	1480	138	1540	151	1525	211	1610	151